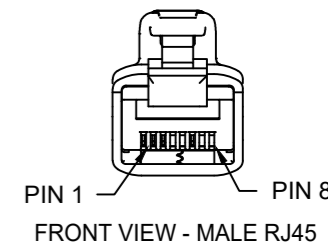
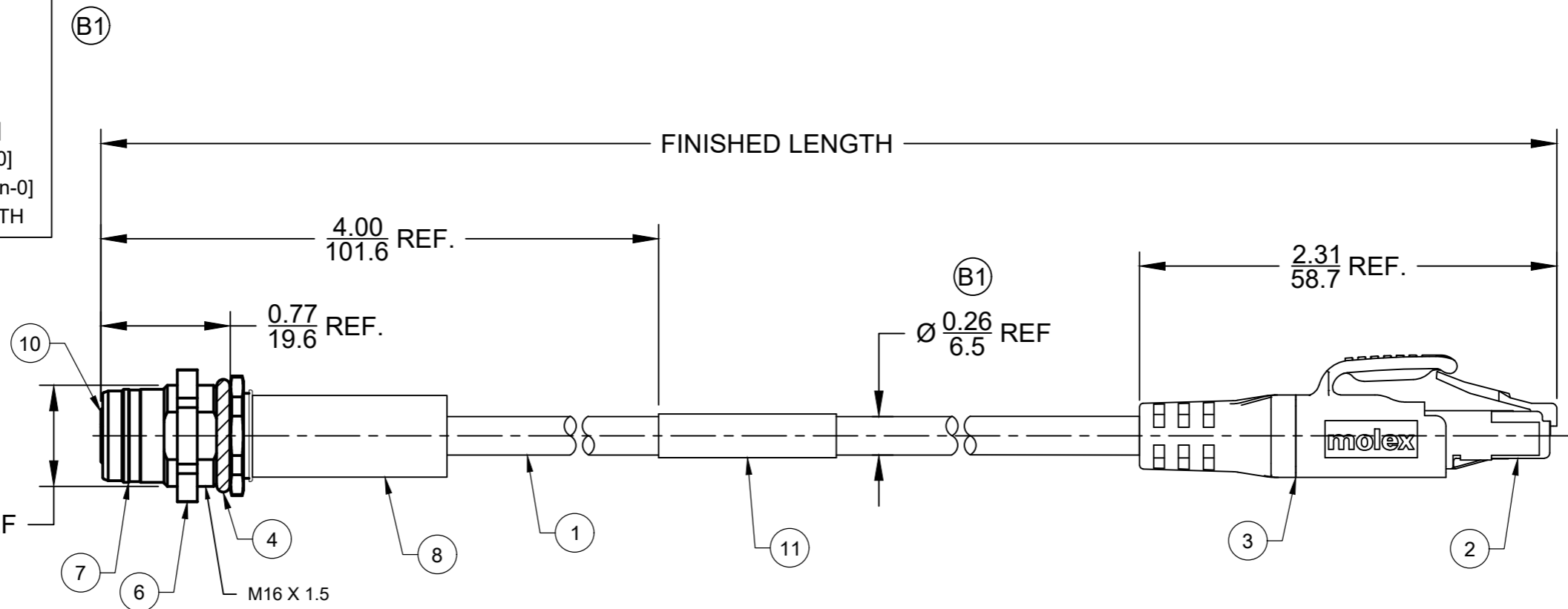
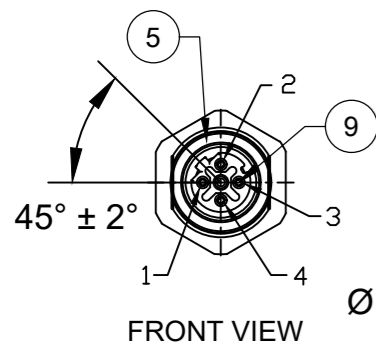


CABLE LENGTH TOLERANCES
 >.3M [1FT]: +19mm-0 [+1.75in-0]
 .3 - .9M [1 - 3FT]: +44.5mm-0 [+1.75in-0]
 .9 - 1.8M [3 - 6FT]: +55.6mm-0 [+2.19in-0]
 1.8 - 3.7M [6 - 12FT]: +88.9mm-0 [+3.50in-0]
 3.7 - 7.3M [12 - 24FT]: +165.1mm-0 [+6.50in-0]
 7.3-14.6M [24 - 48FT]: +317.5mm-0 [+12.50in-0]
 14.6 - 30.5M [48-100FT]: +622.3mm-0 [+24.50in-0]
 OVER 30M [100FT] +2% OF FINISHED LENGTH



NOTES:
MECHANICAL:
 PROTECTION:
 IP20 RJ45 END
 IP67 M12 END
 MIC RECEPTACLE INTERNAL THREAD: M12 X 1

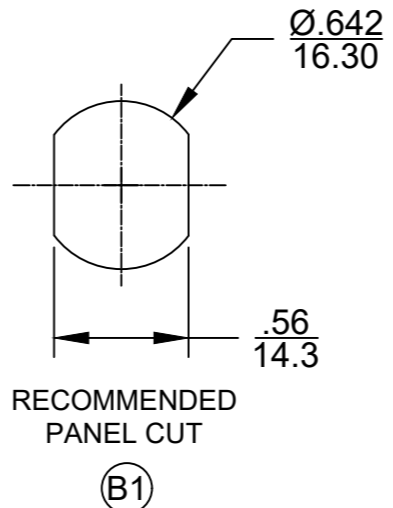
WRAP LABEL:
 MARKED WITH P/N, DATE CODE, VOLTAGE & AMPERAGE

ELECTRICAL
 ACCORDING TO CAT5e
 VOLTAGE RATING: 125V AC/DC
 AMPERAGE: 1.5A

CABLE TYPE
 24 AWG TPU-TEAL

ERWPAU7016M005

LENGTH
 M005 - 0.5M
 M050 - 5M
 M250 - 25M



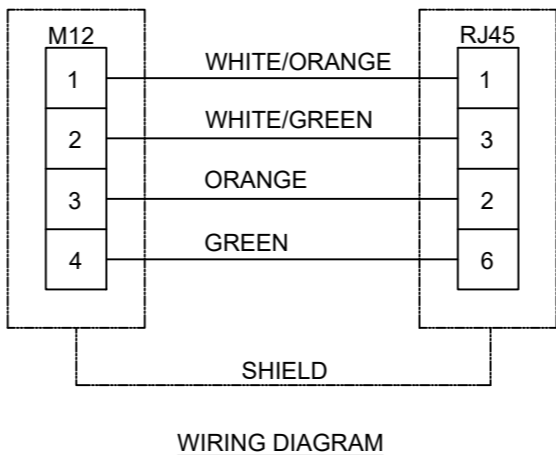
ADDITIONAL CABLE INFORMATION

PHYSICAL CHARACTERISTICS:	
CONDUCTOR SIZE	24AWG 2 PAIR (19/0.12mm) BARE COPPER
INSULATION MATERIAL	POLYOLEFIN
SHIELD/BRAID	TINNED COPPER 85% COVERAGE
JACKET MATERIAL	TPU (TEAL)
CONDUCTOR	ORANGE, ORANGE-WHITE & GREEN, GREEN-WHITE
TAPE	ALUMINUM-POLYESTER

CABLE:

TEMPERATURE RATING (STORAGE)	-40 / +80°C
TEMPERATURE RATING (OPERATION)	-20 / +50°C
WELD SLAG RESISTANCE	YES, S-300 MOLEX TEST
FREE SUBSTANCE'S	FCKW, SILICONE, AND PB
FIRE PERFORMANCE	IEC60332-1, UL1581
OIL RESISTANCE	ISO6722, UL758/2556

ITEM	DESCRIPTION	MATERIAL	FINISH
11	WRAP ID LABEL	VINYL	BLACK/YELLOW
10	M12 FEMALE INSERT	TPU	BLACK
9	M12 SOCKET CONTACTS	COPPER ALLOY	GOLD PLATED
8	HOUSING	BRASS	NICKEL PLATED
7	FEMALE RECEPTACLE SHELL	BRASS	NICKEL PLATED
6	M16 X 1.5 PANEL NUT	BRASS	NICKEL PLATED
5	MATING O-RING	VITON	RED
4	PANEL O-RING	NBR	BLACK
3	RJ45 OVERMOLD	TPU	BLACK
2	RJ45 PLUG	POLYCARBONATE	CLEAR
1	CABLE #24-2 TP SHIELDED	TPU	TEAL



FUNCTIONAL SYMBOLS	THIS DRAWING CONTAINS INFORMATION THAT IS PROPRIETARY TO MOLEX ELECTRONIC TECHNOLOGIES, LLC AND SHOULD NOT BE USED WITHOUT WRITTEN PERMISSION		
	DIMENSION UNITS	SCALE	CURRENT REV DESC: ADD TOLERANCE BLOCK, UPDATE INSERT MATERIAL, NOTES, UPDATE TO LATEST STANDARD, ADD PANEL CUT, ADD CABLE DIA.
DIVISIONAL SYMBOLS	INCH/MM	1:1	<p>molex</p> <p>M12 RECEP./RJ45</p> <p>4P M12 RECEP./RJ45 ST #24-2TP TEAL PUR CAT5E</p> <p>PRODUCT CUSTOMER DRAWING</p> <p>DOCUMENT NUMBER: SD-120108-082 DOC TYPE: PSD DOC PART: 001 REVISION: B1</p>
	GENERAL TOLERANCES (UNLESS SPECIFIED)		
	4 PLACES	±----	<p>EC NO: 639958</p> <p>DRWN: MZIELINSKI 2020/06/19</p> <p>CHK'D: ALEON01 2020/06/23</p> <p>APPR: BWOODMAN 2020/06/23</p>
	3 PLACES	±----	INITIAL REVISION:
	2 PLACES	±----	DRWN: MZIELINS 2015/05/05
	1 PLACE	±----	APPR: BWOODMAN 2015/06/03
	0 PLACES	±----	
	ANGULAR TOL ± ---- °		
	DRAFT WHERE APPLICABLE MUST REMAIN WITHIN DIMENSIONS	THIRD ANGLE PROJECTION	DRAWING: B-SIZE SERIES: 120108
			MATERIAL NUMBER: GENERAL MARKET CUSTOMER: SHEET NUMBER: 1 OF 1